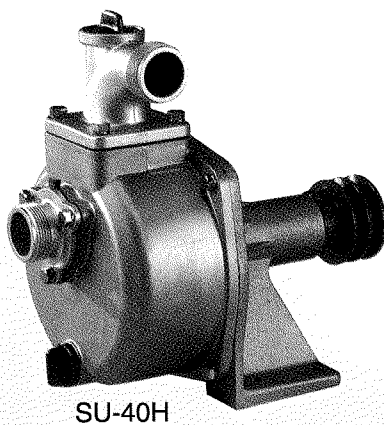
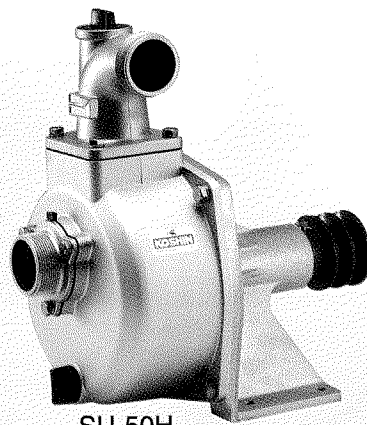


# PABOOL PUMPS

## Pabool Pumps are Designed for Sprinkler System & General Irrigation

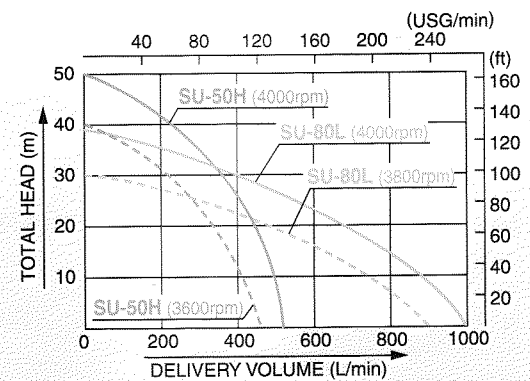
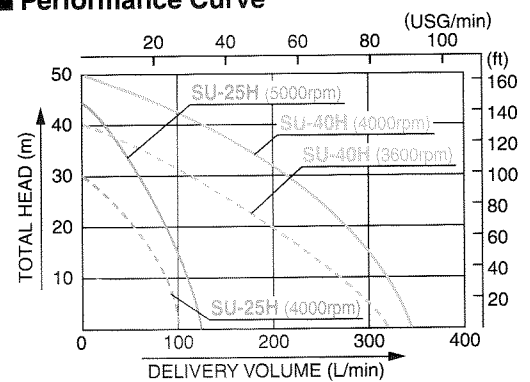


SU-40H



SU-50H

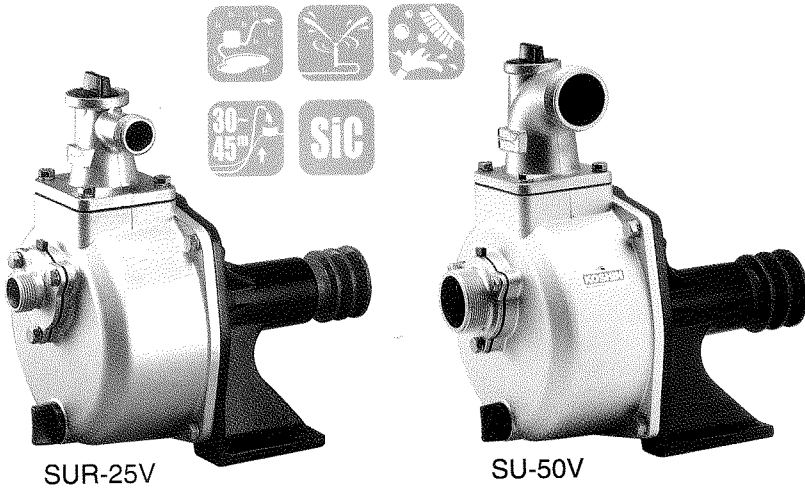
### Performance Curve



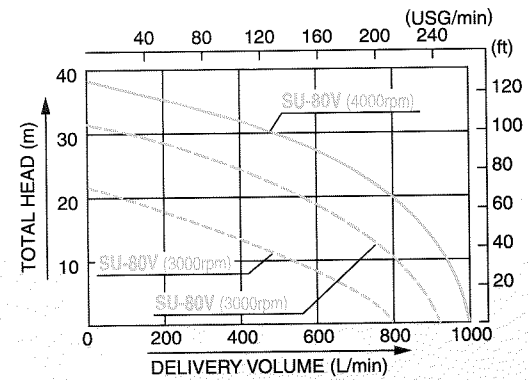
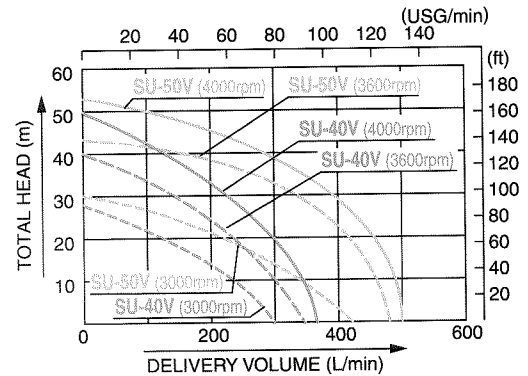
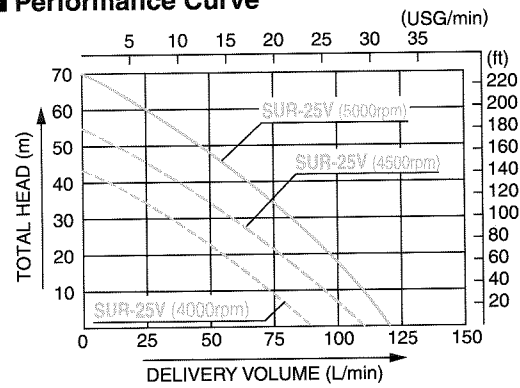
### Specifications

Model	SU-25H		SU-40H		SU-50H		SU-80L	
Connection Dia	25 mm (1")		40 mm (1½")		50 mm (2")		80 mm (3")	
Connection Thread	Outer Pipe Thread							
Revolution	4000 rpm	5000 rpm	3600 rpm	4000 rpm	3600 rpm	4000 rpm	3600 rpm	4000 rpm
Total Head	29 m (95 ft)	45 m (147 ft)	40 m (131 ft)	50 m (164 ft)	40 m (131 ft)	50 m (164 ft)	30 m (98 ft)	38 m (124 ft)
Delivery Volume	96 L/min (25 USG/min)	120 L/min (31 USG/min)	315 L/min (83 USG/min)	350 L/min (92 USG/min)	450 L/min (118 USG/min)	500 L/min (132 USG/min)	900 L/min (237 USG/min)	1000 L/min (264 USG/min)
Output	1.5 kW (2 PS)	2.2 kW (3 PS)	2.2 kW (3 PS)	3.7 kW (5 PS)	3.7 kW (5 PS)	5.5 kW (7.5 PS)	5.5 kW (7.5 PS)	7.5 kW (10 PS)
Standard Accessories	1 Strainer, 2 Couplings, 3 Hose Bands							
Net Weight	7.5 kg		12 kg		14.5 kg		7.5 kg	
Gross Weight	35 kg		24 kg		32 kg		41 kg	
Dimensions LxWxH (mm)	713 x 483 x 250		384 x 469 x 284		397 x 526 x 295		597 x 465 x 367	
Packing Unit	4		2		2		2	

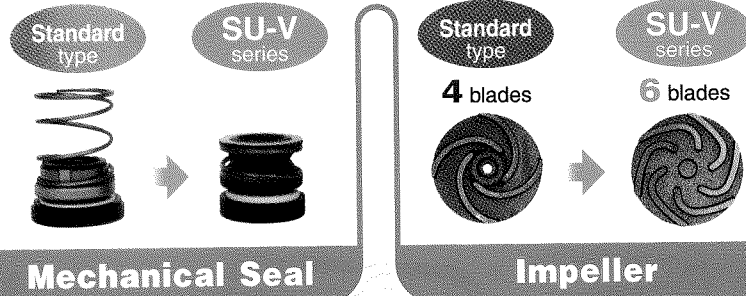
# Powerful Pressure & Enhanced Durability



## Performance Curve



## Double Life Span Durability



## Specifications

Model	SUR-25V			SU-40V			SU-50V			SU-80V		
Connection Dia	25 mm (1")			40 mm (1½")			50 mm (2")			80 mm (3")		
Connection Thread	Outer Pipe Thread											
Revolution	4000 rpm	4500 rpm	5000 rpm	3000 rpm	3600 rpm	4000 rpm	3000 rpm	3600 rpm	4000 rpm	3000 rpm	3600 rpm	4000 rpm
Total Head	43 m (141 ft)	55 m (180 ft)	70 m (229 ft)	28 m (91 ft)	40 m (131 ft)	50 m (164 ft)	30 m (98 ft)	42 m (137 ft)	53 m (173 ft)	21 m (68 ft)	31 m (101 ft)	38 m (124 ft)
Delivery Volume	90 L/min (23 USG/min)	110 L/min (29 USG/min)	120 L/min (31 USG/min)	300 L/min (79 USG/min)	350 L/min (92 USG/min)	370 L/min (97 USG/min)	430 L/min (113 USG/min)	480 L/min (126 USG/min)	500 L/min (132 USG/min)	800 L/min (211 USG/min)	920 L/min (243 USG/min)	1000 L/min (264 USG/min)
Max. Suction Head	8 m (26 ft)			7 m (23 ft)	8 m (26 ft)		7 m (23 ft)	8 m (26 ft)		7 m (23 ft)	8 m (26 ft)	
Output	1.5 kW (2 PS)	2.2 kW (3 PS)	2.8 kW (3.7 PS)	1.5 kW (2 PS)	2.2 kW (3 PS)	3.7 kW (5 PS)	2.2 kW (3 PS)	3.7 kW (5 PS)	5.5 kW (7.5 PS)	3.7 kW (5 PS)	5.5 kW (7.5 PS)	7.5 kW (10 PS)
Standard Accessories	1 Strainer, 2 Couplings, 3 Hose Bands											
Gross Weight	14 kg			13 kg			16 kg			22 kg		
Dimensions LxWxH (mm)	370 x 222 x 255			370 x 222 x 255			402 x 260 x 295			444 x 287 x 393		
Packing Unit	1											

## Chart Shows Co-relation Between Motor Rotation and Pulley Diameter

Model		SUR-25V					
Hz	Revolution	4000		4500		5000	
		mm	inch	mm	inch	mm	inch
50	2P (2880 rpm)	89	3½	99	4	109	4½
	4P (1430 rpm)	169	6½	209	8	233	9
	6P (960 rpm)	259	10	309	12	324	13
60	2P (2880 rpm)	74	3	84	3½	94	4
	4P (1430 rpm)	149	6	169	6½	189	8
	6P (960 rpm)	209	8	259	10	289	11

Model		SU-40V · SU-50V · SU-80V					
Hz	Revolution	3000		3600		4000	
		mm	inch	mm	inch	mm	inch
50	2P (2880 rpm)	81	3½	96	4	106	4½
	4P (1430 rpm)	161	6½	191	8	211	9
	6P (960 rpm)	235	9	291	12	326	13
60	2P (2880 rpm)	66	2½	81	3½	91	3½
	4P (1430 rpm)	129	5	161	6½	181	8
	6P (960 rpm)	191	8	235	9	261	10